
4.25 Gbps Cable and PC Board Equalizer

FEATURES

- Multi-Rate Operation Up To 4.25 Gbps
- Compensates Up To 12 dB Loss At 2.1 GHz
- Suitable To Receive 4.25-Gbps Data Over Up To 30 Inches (0,76 Meters) Of FR4 PC Boards
- Suitable To Receive 4.25-Gbps Data Over Up To 30 Feet (9,1 Meters) Of CX4 Cable
- Ultra-Low Power Consumption
- Input Offset Cancellation
- High Input Dynamic Range
- Output Disable
- Output Polarity Select
- CML Data Outputs
- Single 3.3-V Supply
- Surface Mount Small Footprint 3 mm × 3 mm 16-Pin QFN Package

APPLICATIONS

- 1.0625 Gbps, 2.125 Gbps, and 4.25 Gbps Fibre Channel Systems
- High Speed Links In Communication and Data Systems
- Backplane Interconnect
- Rack-to-Rack Interconnect

DESCRIPTION

The TLK4211EA is a versatile high-speed limiting equalizer for applications in digital high-speed links with data rates up to 4.25 Gbps.

This device provides a high frequency boost of 12 dB at 2.1 GHz as well as sufficient gain to ensure a fully differential output swing for input signals as low as 200 mVp-p (at the input of the interconnect line).

The high input signal dynamic range ensures low jitter output signals even when overdriven with input signal swings as high as 2000 mVp-p.

The TLK4211EA is available in a small footprint 3 mm × 3 mm 16-pin QFN package. It requires a single 3.3-V supply.

This power efficient equalizer is characterized for operation from –40°C to 85°C.



Please be aware that an important notice concerning availability, standard warranty, and use in critical applications of Texas Instruments semiconductor products and disclaimers thereto appears at the end of this data sheet.

BLOCK DIAGRAM

A simplified block diagram of the TLK4211EA is shown in [Figure 1](#).

This compact, low-power 4.25-Gbps equalizer consists of a high-speed data path with offset cancellation circuitry, a bandgap voltage reference, and bias current generation block.

The equalizer requires a single 3.3-V supply voltage. All circuit parts are described in detail in below.

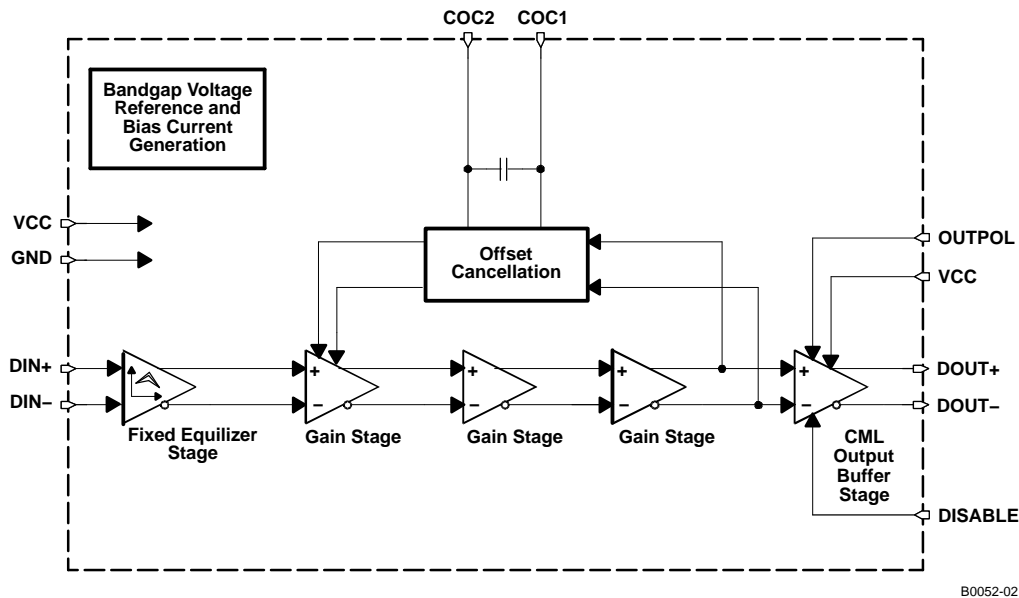


Figure 1. Simplified Block Diagram of the TLK4211EA

HIGH-SPEED DATA PATH

The high-speed data signal with frequency dependent loss is applied to the data path by means of the input signal pins DIN+ /DIN-. The data path consists of the fixed equalizer input stage with 100-Ω differential on-chip line termination, three gain stages, which provide the required gain to ensure a limited output signal, and a CML output stage. The equalized and amplified data output signal is available at the output pins DOUT+ /DOUT-, which provide $2 \times 50\text{-}\Omega$ back-termination to VCC. The output stage also includes a data polarity switching function, which is controlled by the OUTPOL input, and a disable function controlled by the signal applied to the DISABLE input pin.

An offset cancellation compensates inevitable internal offset voltages and thus ensures proper operation even for small input data signals.

The low frequency cutoff is as low as 10 kHz with the built-in filter capacitor.

For applications which require even lower cutoff frequencies, an additional external filter capacitor may be connected to the COC1/CO2 pins.

BANDGAP VOLTAGE AND BIAS GENERATION

The TLK4211EA equalizer is supplied by a single 3.3-V $\pm 10\%$ supply voltage connected to the VCC pins. This voltage is referred to ground (GND).

An on-chip bandgap voltage circuitry generates a supply voltage independent reference from which all other internally required voltages and bias currents are derived.

PACKAGE

The TLK4211EA is available in a small footprint 3 mm \times 3 mm, 16-pin QFN package with a lead pitch of 0,5 mm. The pin out is shown below in [Figure 2](#).

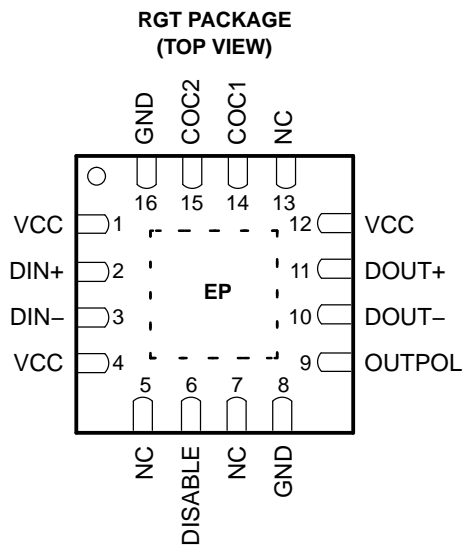


Figure 2. Pin Out of TLK4211EA in a 3 mm × 3 mm 16-Pin QFN Package

TERMINAL FUNCTIONS

TERMINAL		TYPE	DESCRIPTION
NAME	NO.		
VCC	1, 4, 12	Supply	3.3-V ±10% supply voltage
DIN+	2	Analog in	Non-inverted data input. On-chip 100-Ω terminated to DIN–
DIN–	3	Analog in	Inverted data input. On-chip 100-Ω terminated to DIN+
NC	5, 7, 13		Not connected
DISABLE	6	CMOS in	Disables CML output stage when set to high level
GND	8, 16	Supply	Circuit ground.
OUTPUTPOL	9	CMOS in	Output data signal polarity select (internally pulled up): Setting to high-level or leaving pin open selects normal polarity. Low-level selects inverted polarity.
DOUT–	10	CML out	Inverted data output. On-chip 50-Ω back-terminated to VCC.
DOUT+	11	CML out	Non-inverted data output. On-chip 50-Ω back-terminated to VCC.
COC1	14	Analog	Offset cancellation filter capacitor terminal 1. Connect an additional filter capacitor between this pin and COC2 (pin 15). To disable the offset cancellation loop connect COC1 and COC2 (pins 14 and 15).
COC2	15	Analog	Offset cancellation filter capacitor terminal 2. Connect an additional filter capacitor between this pin and COC1 (pin 14). To disable the offset cancellation loop connect COC1 and COC2 (pins 14 and 15).
EP	EP		Exposed die pad (EP) must be grounded.

ABSOLUTE MAXIMUM RATINGS

over operating free-air temperature range (unless otherwise noted)⁽¹⁾

		VALUE / UNIT
V _{CC}	Supply voltage ⁽²⁾	–0.3 V to 4 V
V _{DIN+} , V _{DIN–}	Voltage at DIN+, DIN– ⁽²⁾	0.5 V to 4 V
V _{DISABLE} , V _{OUTPOL} , V _{DOUT+} , V _{DOUT–} , V _{COC1} , V _{COC2}	Voltage at DISABLE, OUTPOL, DOUT+, DOUT–, COC1, COC2 ⁽²⁾	–0.3 V to 4 V
V _{COC,DIFF}	Differential voltage between COC1 and COC2	±1 V
V _{DIN,DIFF}	Differential voltage between DIN+ and DIN–	±2.5 V
I _{DIN+} , I _{DIN–} , I _{DOUT+} , I _{DOUT–}	Continuous current at inputs and outputs	– 25 mA to 25 mA
ESD	ESD rating at all pins	2.5 kV (HBM)
T _{J(max)}	Maximum junction temperature	125°C
T _{STG}	Storage temperature range	–65°C to 85°C
T _A	Characterized free-air operating temperature range	–40°C to 85°C
T _L	Lead temperature 1,6 mm (1/16 inch) from case for 10 seconds	260°C

- (1) Stresses beyond those listed under *absolute maximum ratings* may cause permanent damage to the device. These are stress ratings only, and functional operation of the device at these or any other conditions beyond those indicated under *recommended operating conditions* is not implied. Exposure to absolute–maximum–rated conditions for extended periods may affect device reliability.
- (2) All voltage values are with respect to network ground terminal.

RECOMMENDED OPERATING CONDITIONS

		MIN	NOM	MAX	UNIT
V _{CC}	Supply voltage	3	3.3	3.6	V
T _A	Operating free-air temperature	–40		85	°C
	CMOS input high voltage	2.1			V
	CMOS input low voltage			0.6	V

DC ELECTRICAL CHARACTERISTICS

over recommended operating conditions, typical operating condition is at V_{CC} = 3.3 V and T_A = 25°C (unless otherwise noted)

PARAMETER	TEST CONDITIONS	MIN	TYP	MAX	UNIT
V _{CC}	Supply voltage	3	3.3	3.6	V
I _{CC}	Supply current DISABLE = low, including CML output current		30	38	mA
R _{IN}	Data input resistance Differential		100		Ω
R _{OUT}	Data output resistance Single-ended to VCC		50		Ω

AC ELECTRICAL CHARACTERISTICS

over recommended operating conditions, typical operating condition is at V_{CC} = 3.3 V and T_A = 25°C (unless otherwise noted)

PARAMETER	TEST CONDITIONS	MIN	TYP	MAX	UNIT
Low frequency –3 dB bandwidth	C _{OC} = open		10	50	kHz
	C _{OC} = 0.22 μF		0.8		
Data rate		4.25			Gbps
V _{IN,MIN}	Data input sensitivity ⁽¹⁾ BER < 10 ^{–12} , voltage at the input of the interconnect line		200	250	mV _{p-p}
V _{IN,MAX}	Data input overload Voltage at the input of the interconnect line	2000			mV _{p-p}
High frequency boost	f = 2.1 GHz		12		dB
V _{OD}	Differential data output voltage swing DISABLE = high		0.25	10	mV _{p-p}
	DISABLE = low	580	780	1200	

- (1) The given differential input signal swing is measured at the input of the interconnect line. The high frequency components of the signal at the output of the interconnect line (which is connected the input pins DIN+/DIN– of the TLK4211EA) may be attenuated by 0 dB up to 12 dB at 2.1 GHz dependent of the interconnect line length.

AC ELECTRICAL CHARACTERISTICS (continued)

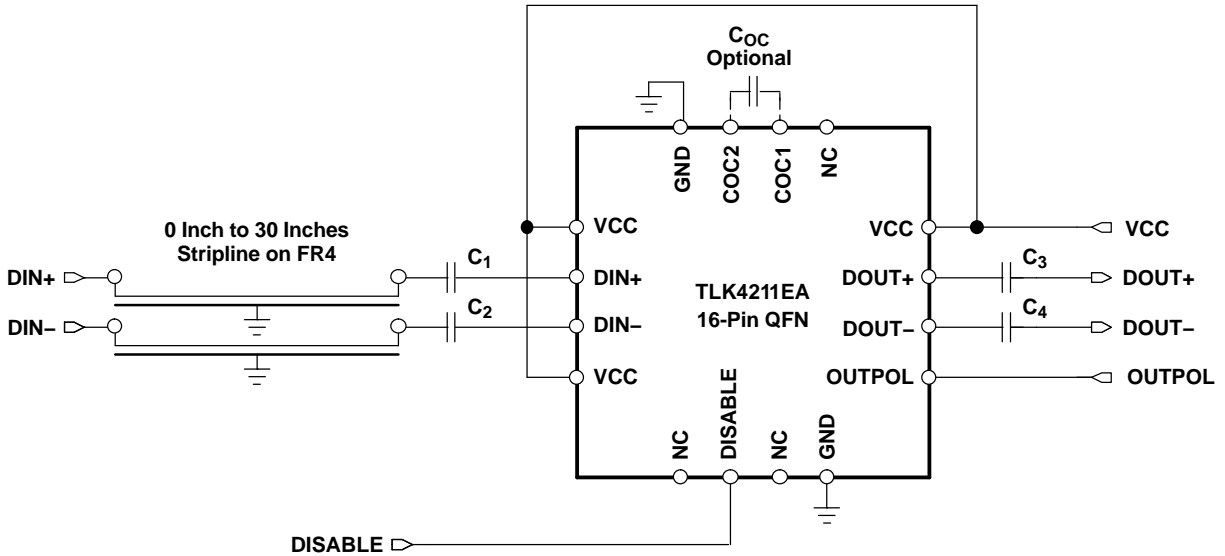
 over recommended operating conditions, typical operating condition is at $V_{CC} = 3.3\text{ V}$ and $T_A = 25^\circ\text{C}$ (unless otherwise noted)

PARAMETER		TEST CONDITIONS	MIN	TYP	MAX	UNIT
DJ	Deterministic jitter, 4.25 Gbps, K28.5 pattern, $V_{IN} = 200\text{ mVpp}$ (differential voltage at the cable input)	No board or cable		20		ps_{p-p}
		12 inches of 7 mils wide microstrip interconnect line on standard FR4		30		
		24 inches of 7 mils wide microstrip interconnect line on standard FR4		30		
		36 inches of 7 mils wide microstrip interconnect line on standard FR4		30		
		30 feet CX4 cable		20		
	Deterministic jitter, 3.3 Gbps, K28.5 pattern, $V_{IN} = 200\text{ mVpp}$ (differential voltage at the cable input)	No board or cable		20		ps_{p-p}
		48 inches of 7 mils wide microstrip interconnect line on standard FR4		25		
		30 feet CX4 cable		20		
RJ	Random jitter	Input = 200 mV_{p-p} , 36 inches of 7 mils wide stripline interconnect line on standard FR4 (voltage at the input of the interconnect line)		4.5		ps_{RMS}
	Latency	From $\text{DIN}\pm$ to $\text{DOUT}\pm$		250		ps
t_r	Output rise time	20% to 80%, without microstrip line loss at input		55	85	ps
t_f	Output fall time	20% to 80%, without microstrip line loss at input		55	85	ps
T_{DIS}	Disable response time			20		ns

APPLICATION INFORMATION

Figure 3 shows the TLK4211EA connected with an ac-coupled interface to the data signal source via a microstrip interconnect line. The output load is ac-coupled as well.

The ac coupling capacitors C_1 through C_4 in the input and output data signal lines are the only required external components. In addition, if a low cutoff frequency is required, as an option, an external filter capacitor C_{OC} may be used.



S0072-02

Figure 3. Basic Application Circuit With AC Coupled I/Os

TYPICAL CHARACTERISTICS

Typical operating condition is at $V_{CC} = 3.3\text{ V}$ and $T_A = 25^\circ\text{C}$ (unless otherwise noted).

DIFFERENTIAL EQUALIZER INPUT SIGNAL (TOP) AND OUTPUT SIGNAL (BOTTOM) AT 4.25 GBPS USING A K28.5 PATTERN

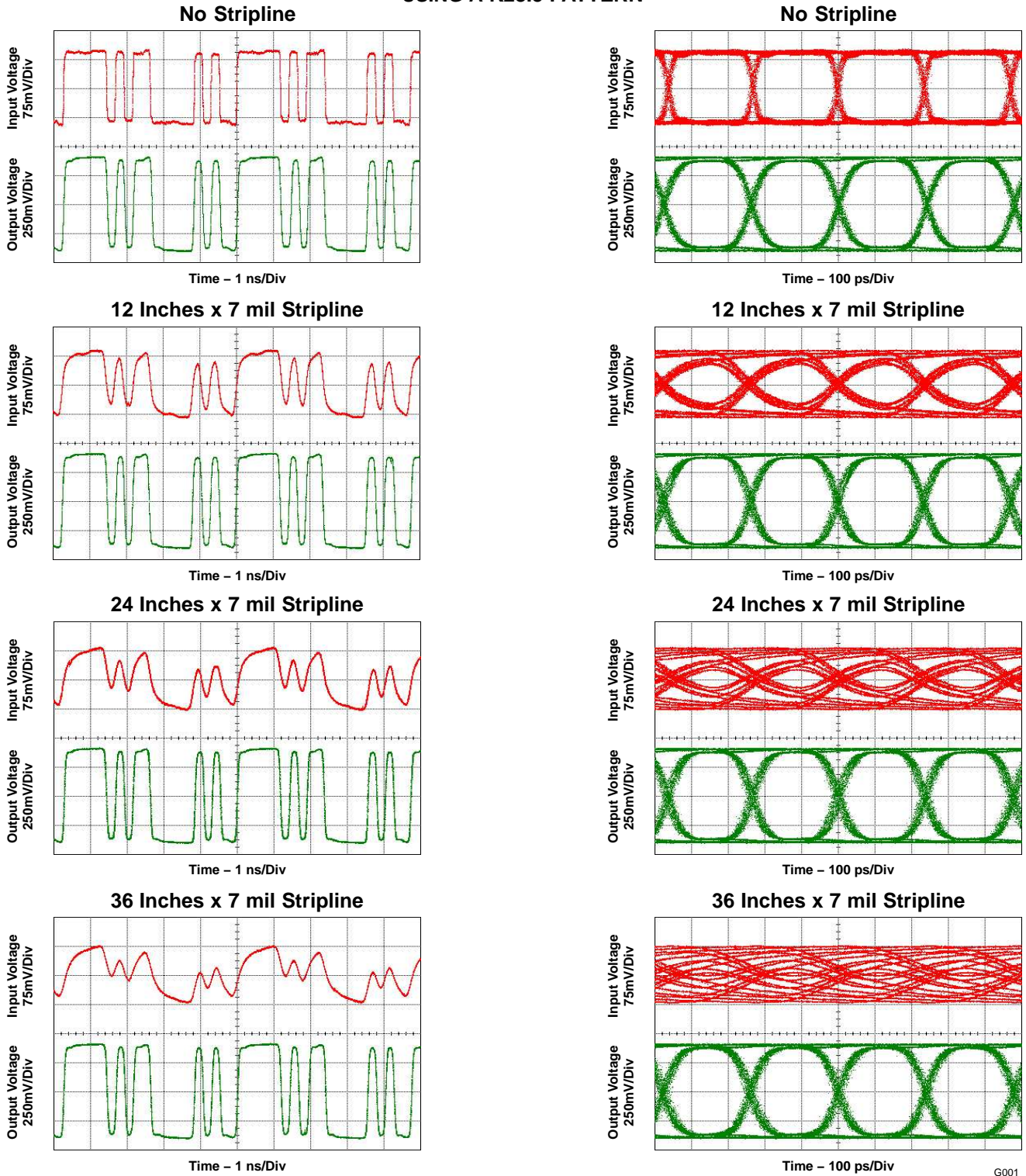


Figure 4. Equalizer Input and Output Signals With Different Interconnect Lines Patterns

TYPICAL CHARACTERISTICS (continued)

Typical operating condition is at $V_{CC} = 3.3\text{ V}$ and $T_A = 25^\circ\text{C}$ (unless otherwise noted).

DIFFERENTIAL EQUALIZER INPUT SIGNAL (TOP) AND OUTPUT SIGNAL (BOTTOM) AT 3.3 GBPS USING A K28.5 PATTERN

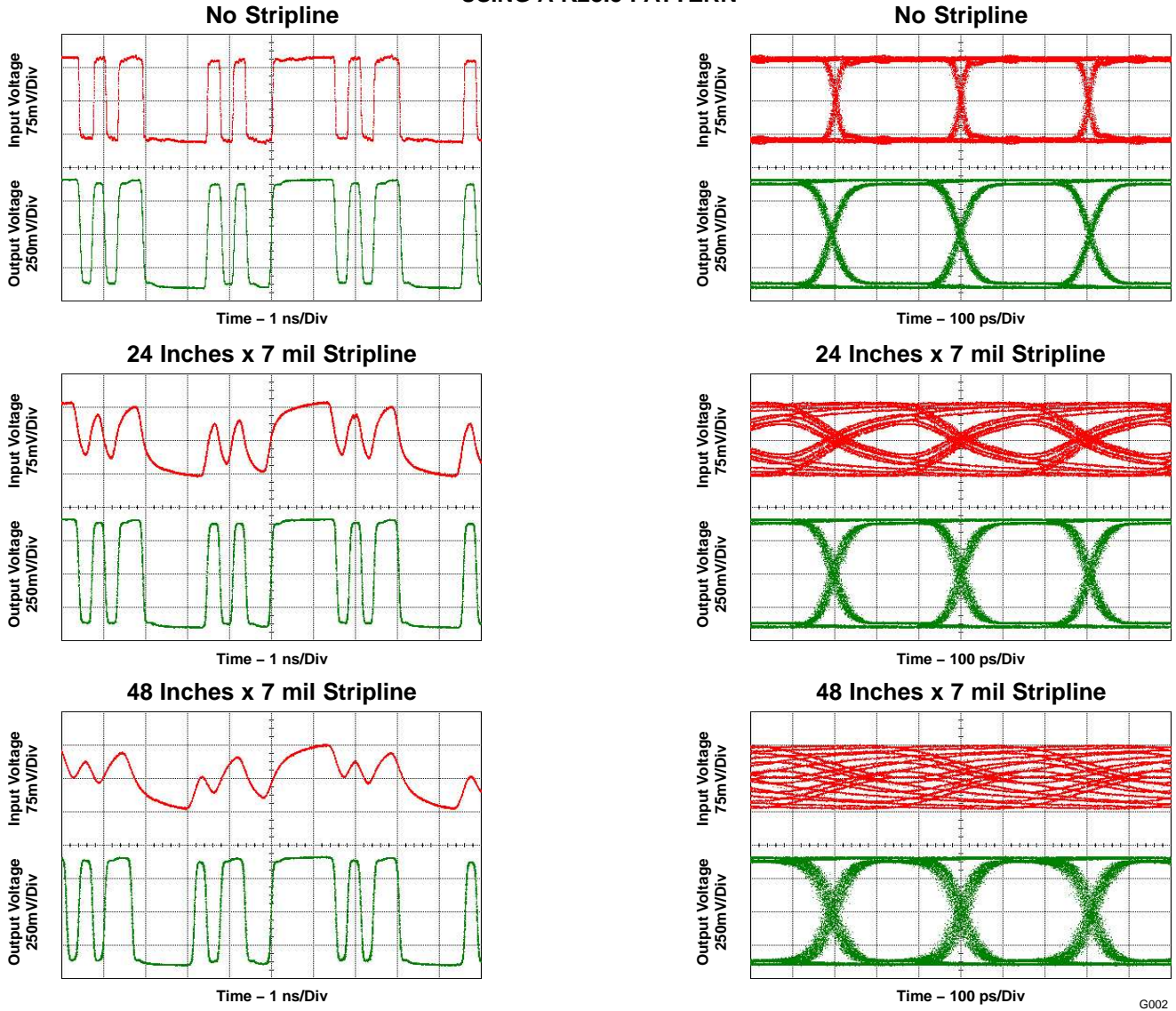


Figure 5. Equalizer Input and Output Signals With Different Interconnect Lines and Data

TYPICAL CHARACTERISTICS (continued)

Typical operating condition is at $V_{CC} = 3.3\text{ V}$ and $T_A = 25^\circ\text{C}$ (unless otherwise noted).

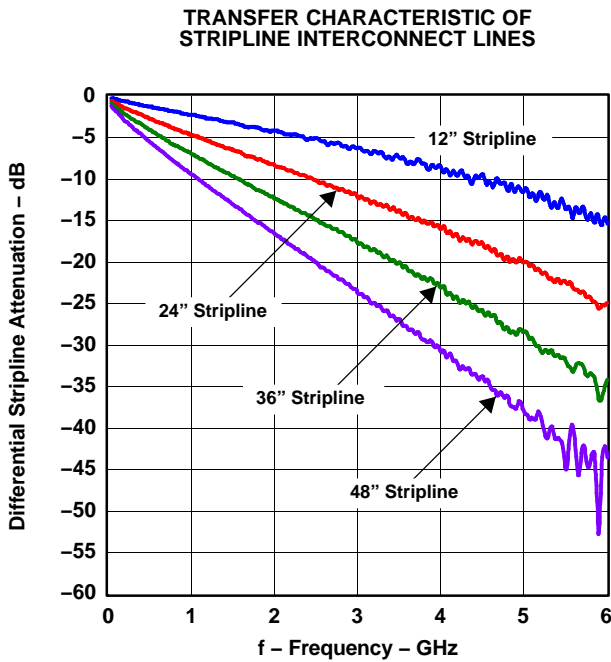


Figure 6.

G003

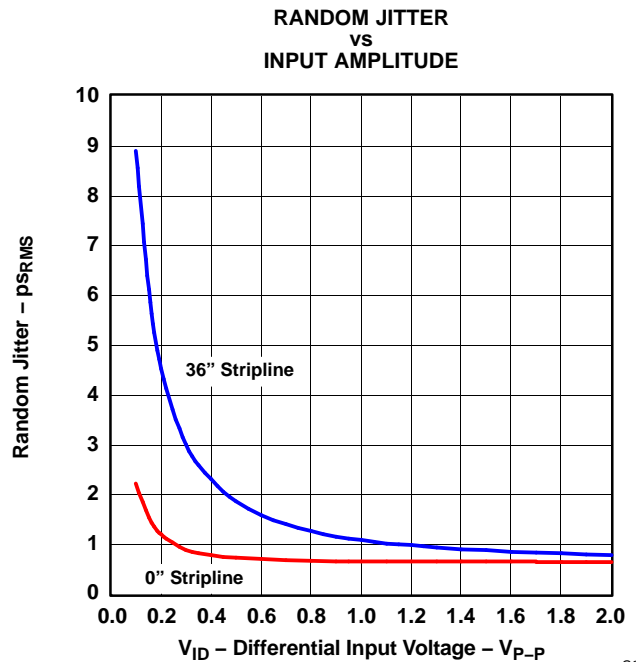


Figure 7.

G004

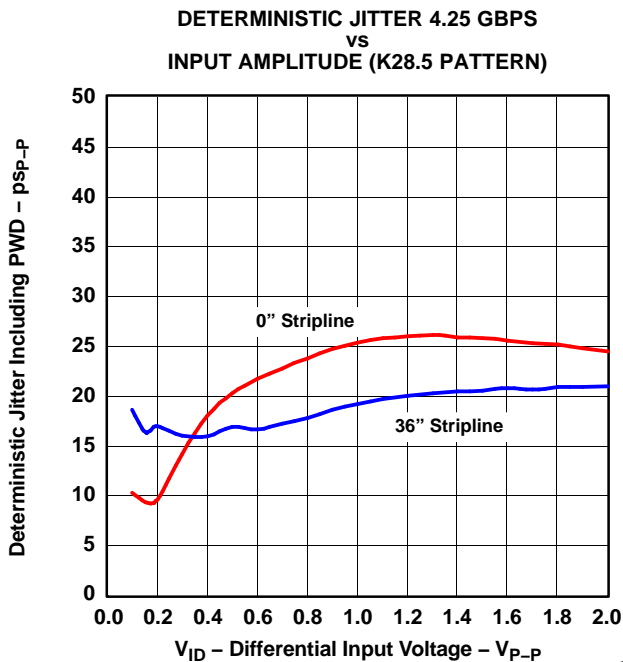


Figure 8.

G005

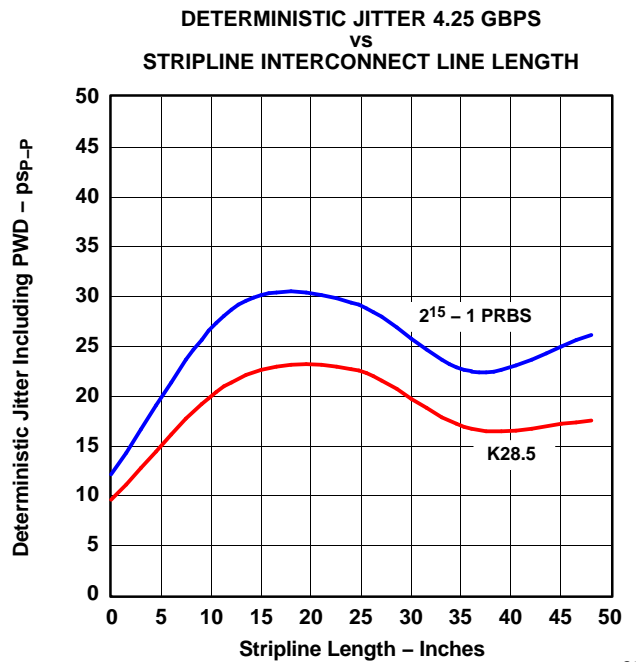


Figure 9.

G006

TYPICAL CHARACTERISTICS (continued)

Typical operating condition is at $V_{CC} = 3.3\text{ V}$ and $T_A = 25^\circ\text{C}$ (unless otherwise noted).

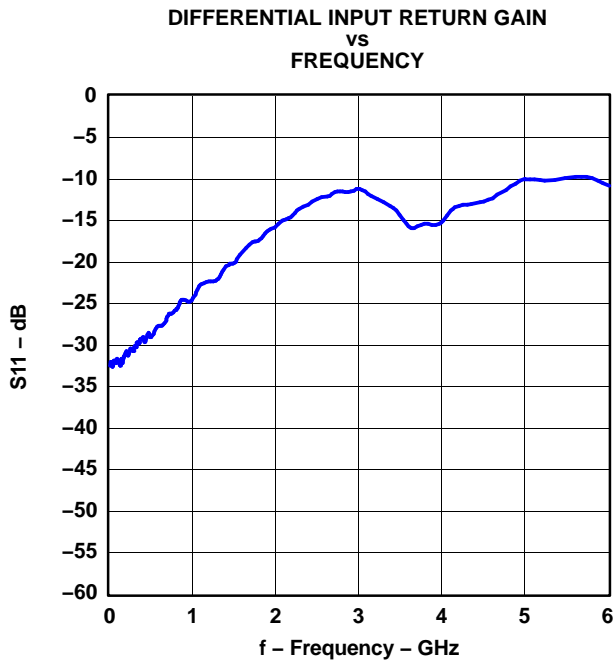


Figure 10.

G007

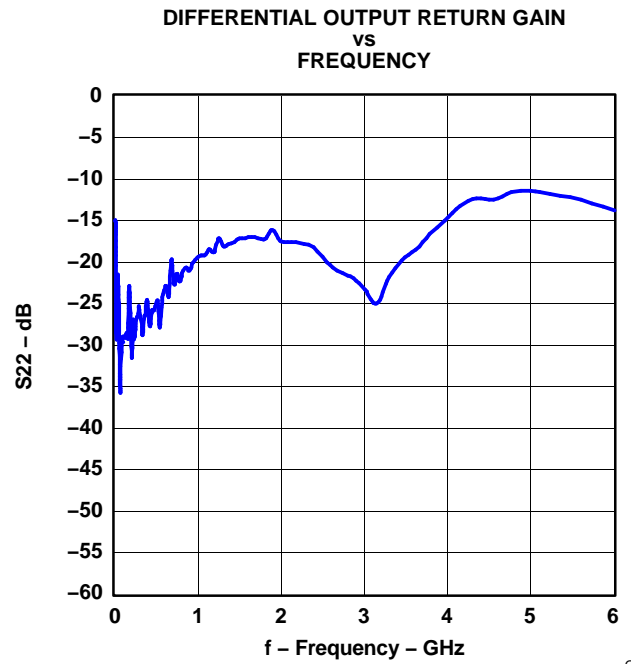


Figure 11.

G008

PACKAGING INFORMATION

Orderable Device	Status ⁽¹⁾	Package Type	Package Drawing	Pins	Package Qty	Eco Plan ⁽²⁾	Lead/Ball Finish	MSL Peak Temp ⁽³⁾
TLK4211EARGTR	NRND	QFN	RGT	16	3000	Green (RoHS & no Sb/Br)	CU NIPDAU	Level-2-260C-1 YEAR
TLK4211EARGTRG4	NRND	QFN	RGT	16	3000	Green (RoHS & no Sb/Br)	CU NIPDAU	Level-2-260C-1 YEAR
TLK4211EARGTT	NRND	QFN	RGT	16	250	Green (RoHS & no Sb/Br)	CU NIPDAU	Level-2-260C-1 YEAR
TLK4211EARGTTG4	NRND	QFN	RGT	16	250	Green (RoHS & no Sb/Br)	CU NIPDAU	Level-2-260C-1 YEAR

⁽¹⁾ The marketing status values are defined as follows:

ACTIVE: Product device recommended for new designs.

LIFEBUY: TI has announced that the device will be discontinued, and a lifetime-buy period is in effect.

NRND: Not recommended for new designs. Device is in production to support existing customers, but TI does not recommend using this part in a new design.

PREVIEW: Device has been announced but is not in production. Samples may or may not be available.

OBSOLETE: TI has discontinued the production of the device.

⁽²⁾ Eco Plan - The planned eco-friendly classification: Pb-Free (RoHS), Pb-Free (RoHS Exempt), or Green (RoHS & no Sb/Br) - please check <http://www.ti.com/productcontent> for the latest availability information and additional product content details.

TBD: The Pb-Free/Green conversion plan has not been defined.

Pb-Free (RoHS): TI's terms "Lead-Free" or "Pb-Free" mean semiconductor products that are compatible with the current RoHS requirements for all 6 substances, including the requirement that lead not exceed 0.1% by weight in homogeneous materials. Where designed to be soldered at high temperatures, TI Pb-Free products are suitable for use in specified lead-free processes.

Pb-Free (RoHS Exempt): This component has a RoHS exemption for either 1) lead-based flip-chip solder bumps used between the die and package, or 2) lead-based die adhesive used between the die and leadframe. The component is otherwise considered Pb-Free (RoHS compatible) as defined above.

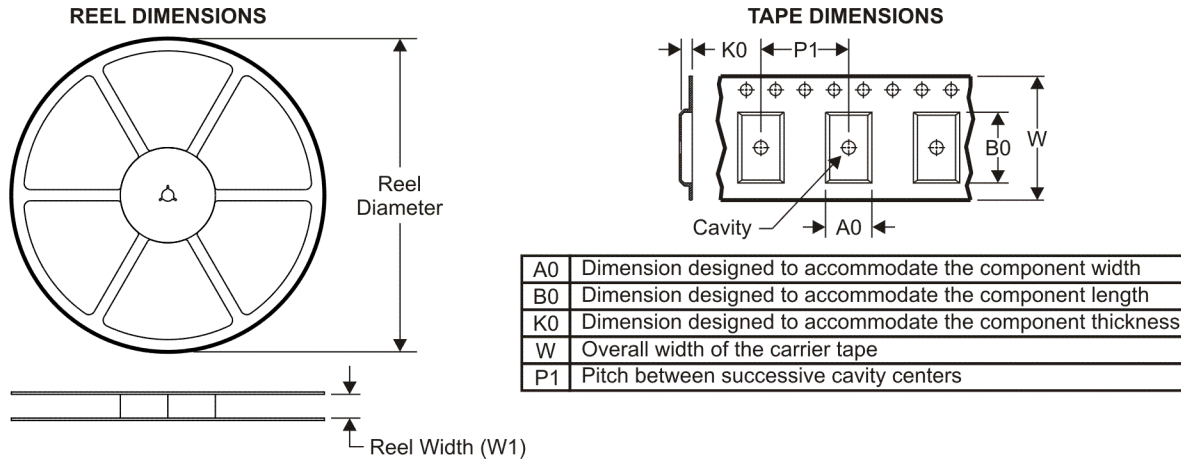
Green (RoHS & no Sb/Br): TI defines "Green" to mean Pb-Free (RoHS compatible), and free of Bromine (Br) and Antimony (Sb) based flame retardants (Br or Sb do not exceed 0.1% by weight in homogeneous material)

⁽³⁾ MSL, Peak Temp. -- The Moisture Sensitivity Level rating according to the JEDEC industry standard classifications, and peak solder temperature.

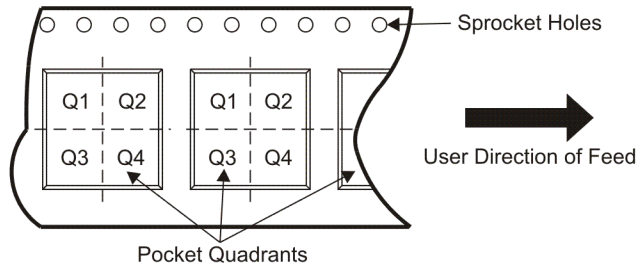
Important Information and Disclaimer:The information provided on this page represents TI's knowledge and belief as of the date that it is provided. TI bases its knowledge and belief on information provided by third parties, and makes no representation or warranty as to the accuracy of such information. Efforts are underway to better integrate information from third parties. TI has taken and continues to take reasonable steps to provide representative and accurate information but may not have conducted destructive testing or chemical analysis on incoming materials and chemicals. TI and TI suppliers consider certain information to be proprietary, and thus CAS numbers and other limited information may not be available for release.

In no event shall TI's liability arising out of such information exceed the total purchase price of the TI part(s) at issue in this document sold by TI to Customer on an annual basis.

TAPE AND REEL INFORMATION



QUADRANT ASSIGNMENTS FOR PIN 1 ORIENTATION IN TAPE



*All dimensions are nominal

Device	Package Type	Package Drawing	Pins	SPQ	Reel Diameter (mm)	Reel Width W1 (mm)	A0 (mm)	B0 (mm)	K0 (mm)	P1 (mm)	W (mm)	Pin1 Quadrant
TLK4211EARGTR	QFN	RGT	16	3000	330.0	12.4	3.3	3.3	1.1	8.0	12.0	Q2
TLK4211EARGTT	QFN	RGT	16	250	330.0	12.4	3.3	3.3	1.1	8.0	12.0	Q2

TAPE AND REEL BOX DIMENSIONS

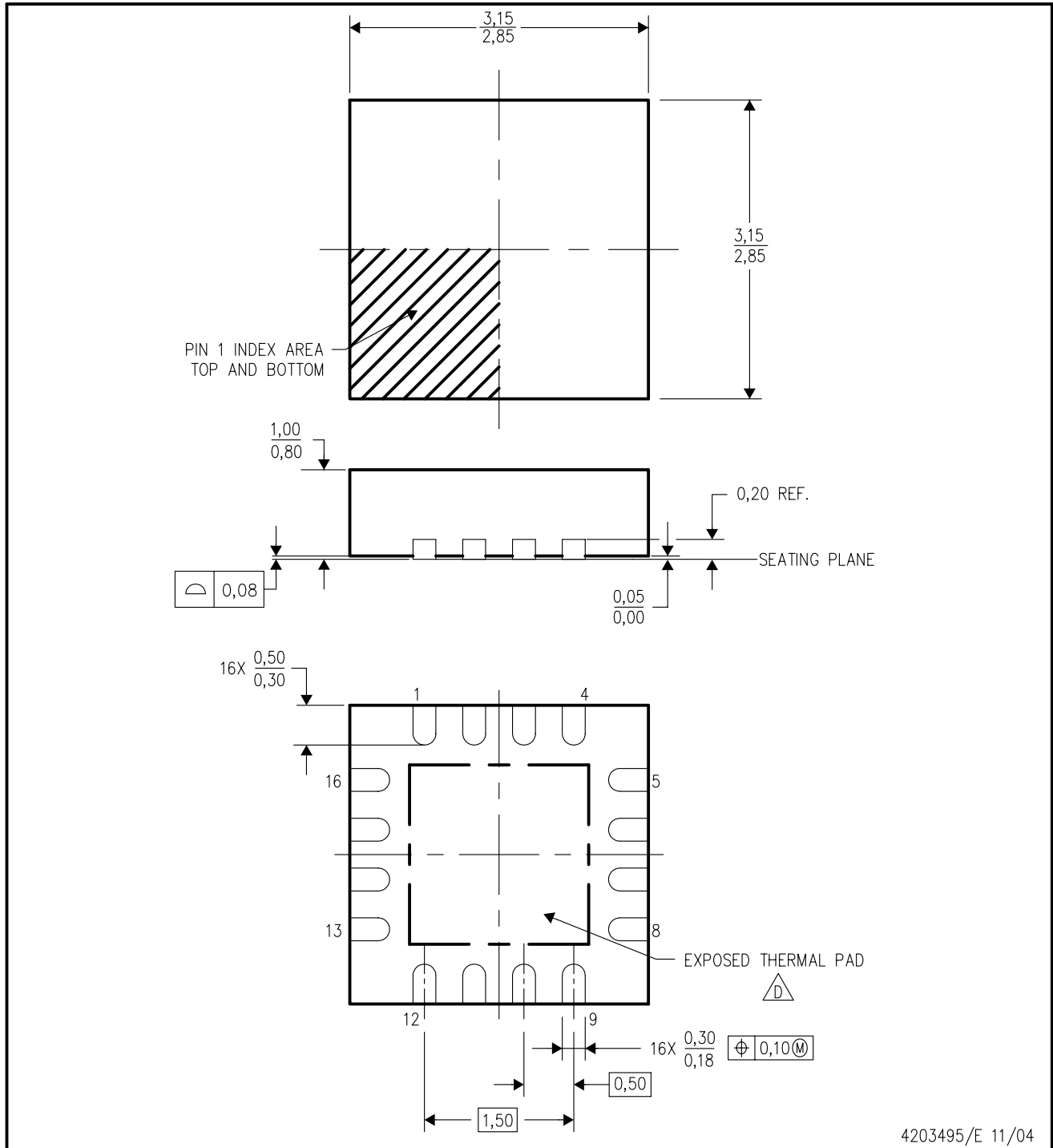


*All dimensions are nominal

Device	Package Type	Package Drawing	Pins	SPQ	Length (mm)	Width (mm)	Height (mm)
TLK4211EARGTR	QFN	RGT	16	3000	340.5	333.0	20.6
TLK4211EARGTT	QFN	RGT	16	250	340.5	333.0	20.6

RGT (S-PQFP-N16)

PLASTIC QUAD FLATPACK



4203495/E 11/04

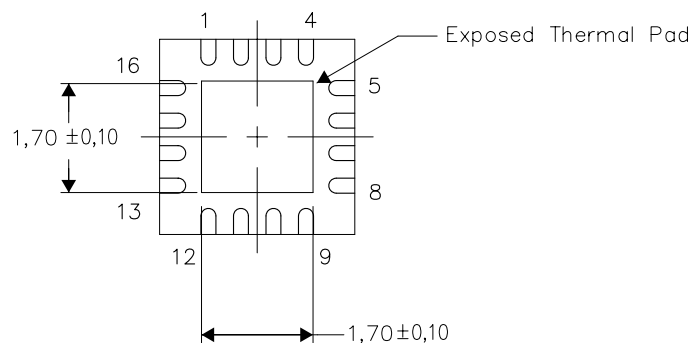
- NOTES:
- A. All linear dimensions are in millimeters. Dimensioning and tolerancing per ASME Y14.5M-1994.
 - B. This drawing is subject to change without notice.
 - C. Quad Flatpack, No-leads (QFN) package configuration.
 - $\triangle D$ The package thermal pad must be soldered to the board for thermal and mechanical performance. See the Product Data Sheet for details regarding the exposed thermal pad dimensions.
 - E. Falls within JEDEC MO-220.

THERMAL INFORMATION

This package incorporates an exposed thermal pad that is designed to be attached directly to an external heatsink. The thermal pad must be soldered directly to the printed circuit board (PCB). After soldering, the PCB can be used as a heatsink. In addition, through the use of thermal vias, the thermal pad can be attached directly to the appropriate copper plane shown in the electrical schematic for the device, or alternatively, can be attached to a special heatsink structure designed into the PCB. This design optimizes the heat transfer from the integrated circuit (IC).

For information on the Quad Flatpack No-Lead (QFN) package and its advantages, refer to Application Report, Quad Flatpack No-Lead Logic Packages, Texas Instruments Literature No. SCBA017. This document is available at www.ti.com.

The exposed thermal pad dimensions for this package are shown in the following illustration.

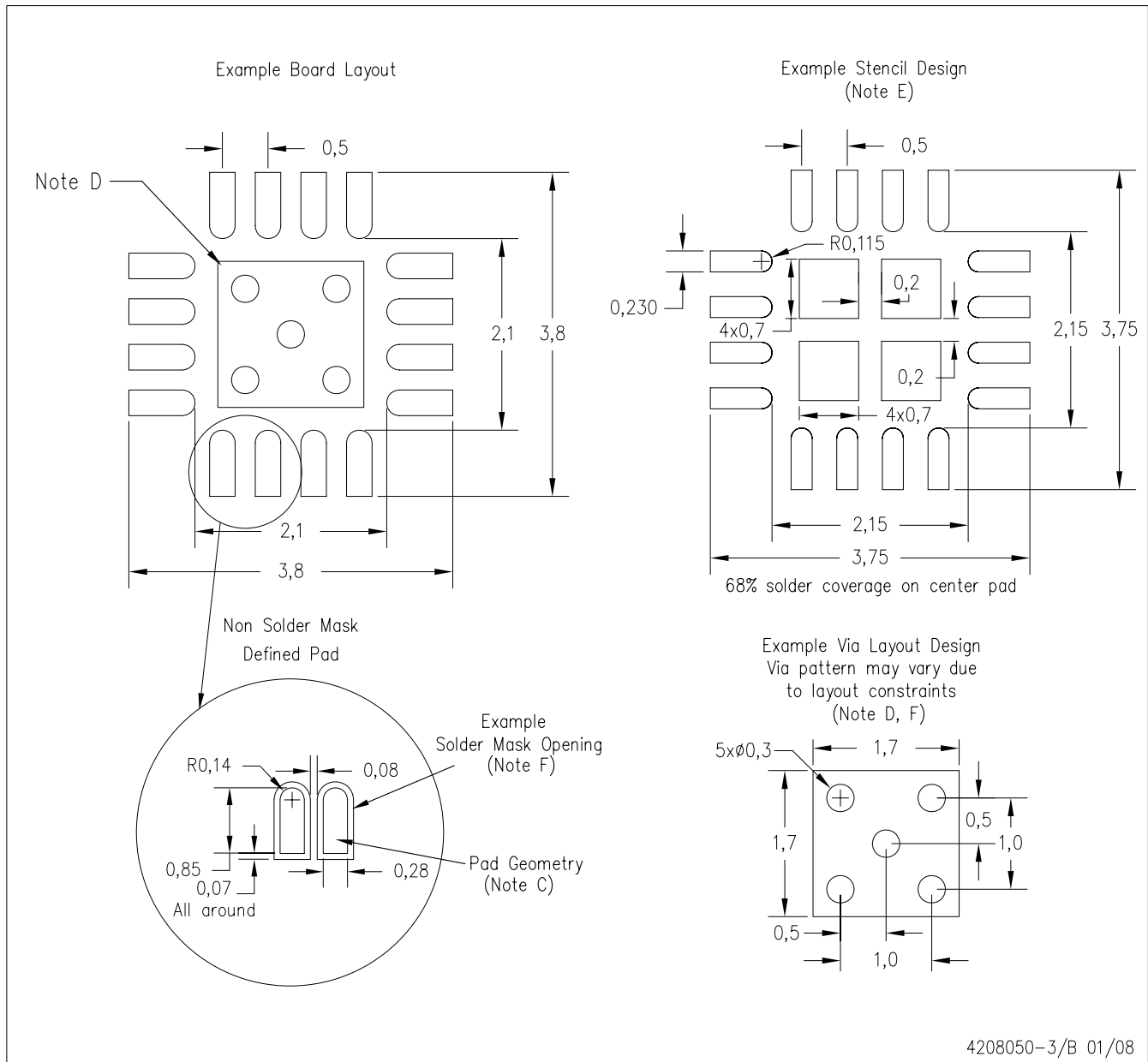


Bottom View

NOTE: All linear dimensions are in millimeters

Exposed Thermal Pad Dimensions

RGT (S-PQFP-N16)



4208050-3/B 01/08

- NOTES:
- All linear dimensions are in millimeters.
 - This drawing is subject to change without notice.
 - Publication IPC-7351 is recommended for alternate designs.
 - This package is designed to be soldered to a thermal pad on the board. Refer to Application Note, Quad Flat-Pack Packages, Texas Instruments Literature No. SCBA017, SLUA271, and also the Product Data Sheets for specific thermal information, via requirements, and recommended board layout. These documents are available at www.ti.com <<http://www.ti.com>>.
 - Laser cutting apertures with trapezoidal walls and also rounding corners will offer better paste release. Customers should contact their board assembly site for stencil design recommendations. Refer to IPC 7525 for stencil design considerations.
 - Customers should contact their board fabrication site for minimum solder mask web tolerances between signal pads.

IMPORTANT NOTICE

Texas Instruments Incorporated and its subsidiaries (TI) reserve the right to make corrections, modifications, enhancements, improvements, and other changes to its products and services at any time and to discontinue any product or service without notice. Customers should obtain the latest relevant information before placing orders and should verify that such information is current and complete. All products are sold subject to TI's terms and conditions of sale supplied at the time of order acknowledgment.

TI warrants performance of its hardware products to the specifications applicable at the time of sale in accordance with TI's standard warranty. Testing and other quality control techniques are used to the extent TI deems necessary to support this warranty. Except where mandated by government requirements, testing of all parameters of each product is not necessarily performed.

TI assumes no liability for applications assistance or customer product design. Customers are responsible for their products and applications using TI components. To minimize the risks associated with customer products and applications, customers should provide adequate design and operating safeguards.

TI does not warrant or represent that any license, either express or implied, is granted under any TI patent right, copyright, mask work right, or other TI intellectual property right relating to any combination, machine, or process in which TI products or services are used. Information published by TI regarding third-party products or services does not constitute a license from TI to use such products or services or a warranty or endorsement thereof. Use of such information may require a license from a third party under the patents or other intellectual property of the third party, or a license from TI under the patents or other intellectual property of TI.

Reproduction of TI information in TI data books or data sheets is permissible only if reproduction is without alteration and is accompanied by all associated warranties, conditions, limitations, and notices. Reproduction of this information with alteration is an unfair and deceptive business practice. TI is not responsible or liable for such altered documentation. Information of third parties may be subject to additional restrictions.

Resale of TI products or services with statements different from or beyond the parameters stated by TI for that product or service voids all express and any implied warranties for the associated TI product or service and is an unfair and deceptive business practice. TI is not responsible or liable for any such statements.

TI products are not authorized for use in safety-critical applications (such as life support) where a failure of the TI product would reasonably be expected to cause severe personal injury or death, unless officers of the parties have executed an agreement specifically governing such use. Buyers represent that they have all necessary expertise in the safety and regulatory ramifications of their applications, and acknowledge and agree that they are solely responsible for all legal, regulatory and safety-related requirements concerning their products and any use of TI products in such safety-critical applications, notwithstanding any applications-related information or support that may be provided by TI. Further, Buyers must fully indemnify TI and its representatives against any damages arising out of the use of TI products in such safety-critical applications.

TI products are neither designed nor intended for use in military/aerospace applications or environments unless the TI products are specifically designated by TI as military-grade or "enhanced plastic." Only products designated by TI as military-grade meet military specifications. Buyers acknowledge and agree that any such use of TI products which TI has not designated as military-grade is solely at the Buyer's risk, and that they are solely responsible for compliance with all legal and regulatory requirements in connection with such use.

TI products are neither designed nor intended for use in automotive applications or environments unless the specific TI products are designated by TI as compliant with ISO/TS 16949 requirements. Buyers acknowledge and agree that, if they use any non-designated products in automotive applications, TI will not be responsible for any failure to meet such requirements.

Following are URLs where you can obtain information on other Texas Instruments products and application solutions:

Products

Amplifiers	amplifier.ti.com
Data Converters	dataconverter.ti.com
DSP	dsp.ti.com
Clocks and Timers	www.ti.com/clocks
Interface	interface.ti.com
Logic	logic.ti.com
Power Mgmt	power.ti.com
Microcontrollers	microcontroller.ti.com
RFID	www.ti-rfid.com
RF/IF and ZigBee® Solutions	www.ti.com/lprf

Applications

Audio	www.ti.com/audio
Automotive	www.ti.com/automotive
Broadband	www.ti.com/broadband
Digital Control	www.ti.com/digitalcontrol
Medical	www.ti.com/medical
Military	www.ti.com/military
Optical Networking	www.ti.com/opticalnetwork
Security	www.ti.com/security
Telephony	www.ti.com/telephony
Video & Imaging	www.ti.com/video
Wireless	www.ti.com/wireless

Mailing Address: Texas Instruments, Post Office Box 655303, Dallas, Texas 75265
Copyright © 2008, Texas Instruments Incorporated